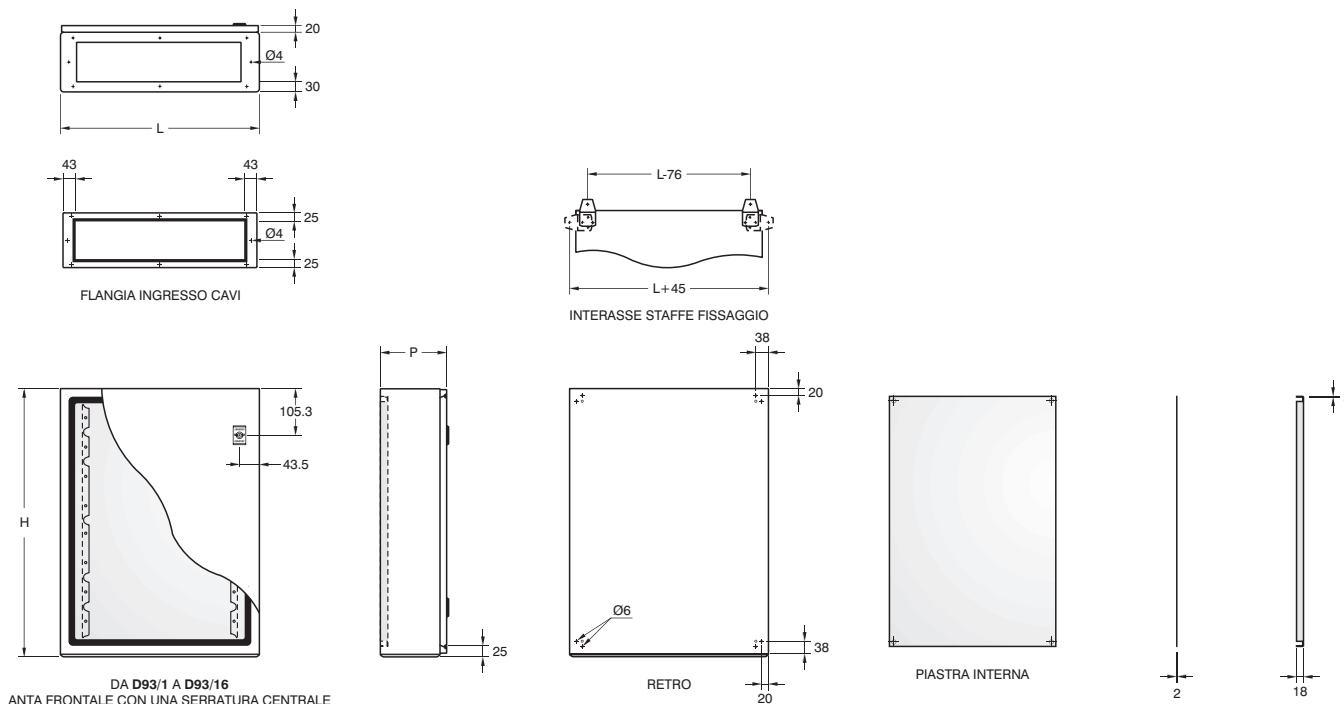


dati tecnici: cassette D93

Cassette D93



NB Contattare l'ufficio tecnico per uso esterno

OMOLOGAZIONI

CE		EN 62208/02:2012	EN 61439-1
	IP 66	EN 62208/02:2012	EN 60 529 ; EN 61439-1
	Anta cieca: IK10	EN 62208/02:2012	EN 62 262 ; EN 61439-1
	Max Load Capacity	Pl. 200÷250Kg Anta 50Kg	EN 62208/02:2012 EN 61439-1
	TYPE 1, 12, 4	FILE E238294	Standard 508
	NEMA 1, 12, 4		Standard 250
		ELE118311CS	Rina Rules Classification of Ships
		2011/65/CE	1272/2008/CE

DIMENSIONI CASSETTE D93

Utile Foratura Anta (c/H max.590mm).....	L-61	H-56
Utile Foratura Anta (c/H da 600mm).....	L-135	H-56
Interasse Foratura Supporti Interno Anta....	L-105	
Piastra Interna Piana.....	L-36	H-56
Piastra Interna Ribordata.....	L-56	H-56
Profondità Utile (c/Piastra Piana).....	P-17	
Profondità Utile (c/Piastra Ribordata).....	P-22	
Apertura nel Fondo.....	L-90	P-90
Flangia Ingresso Cavi.....	L-6	P-40

Una Anta

Codici	H mm	L mm	P mm	Kg	m ³
*D93/1	306	206	150	5,2	0,009
*D93/2	306	256	150	6,4	0,001
*D93/4	306	306	150	7,0	0,013
*D93/5	356	256	150	7,0	0,013
*D93/7	406	306	150	9,6	0,018
*D93/10	506	306	150	12,2	0,022
*D93/12	506	356	150	11,8	0,026
*D93/3	306	256	200	7,0	0,015
*D93/6	356	256	200	8,0	0,017
*D93/8	406	306	200	9,9	0,024
*D93/9	406	406	200	10,5	0,032
*D93/11	506	306	200	11,4	0,030
*D93/13	506	356	200	12,8	0,035
*D93/14	506	406	200	15,1	0,040
*D93/16	506	506	200	16,5	0,050
*D93/17	606	406	200	17,0	0,048
D93/19	606	606	200	23,6	0,072
D93/21	706	506	200	23,0	0,070
D93/23	806	506	200	26,0	0,080
D93/25	806	606	200	29,2	0,096
D93/882	806	806	200	34,0	0,130

Una Anta

Codici	H mm	L mm	P mm	Kg	m ³
D93/28	906	606	200	32,7	0,110
D93/33	1006	806	200	45,6	0,160
*D93/15	506	406	250	15,9	0,050
*D93/18	606	406	250	19,1	0,060
D93/20	606	606	250	25,0	0,090
D93/22	706	506	250	24,5	0,087
D93/24	806	506	250	28,0	0,100
D93/26	806	606	250	30,8	0,120
D93/29	906	606	250	34,7	0,140
D93/31	1006	606	250	37,5	0,150
D93/34	1006	806	250	46,0	0,200
D93/37	1206	806	250	55,4	0,240
D93/27	806	606	300	32,5	0,150
D93/883	806	806	300	38,0	0,190
D93/30	906	606	300	36,7	0,160
D93/32	1006	606	300	39,8	0,180
D93/35	1006	806	300	49,7	0,240
D93/36	1206	606	300	46,0	0,220
D93/38	1206	806	300	59,0	0,290
D93/39	1206	1006	300	67,0	0,360

* PIASTRA INTERNA PIANA

le misure sono espresse in mm

i dati tecnici possono essere soggetti a cambiamenti senza preavviso

Cassette D93 due ante

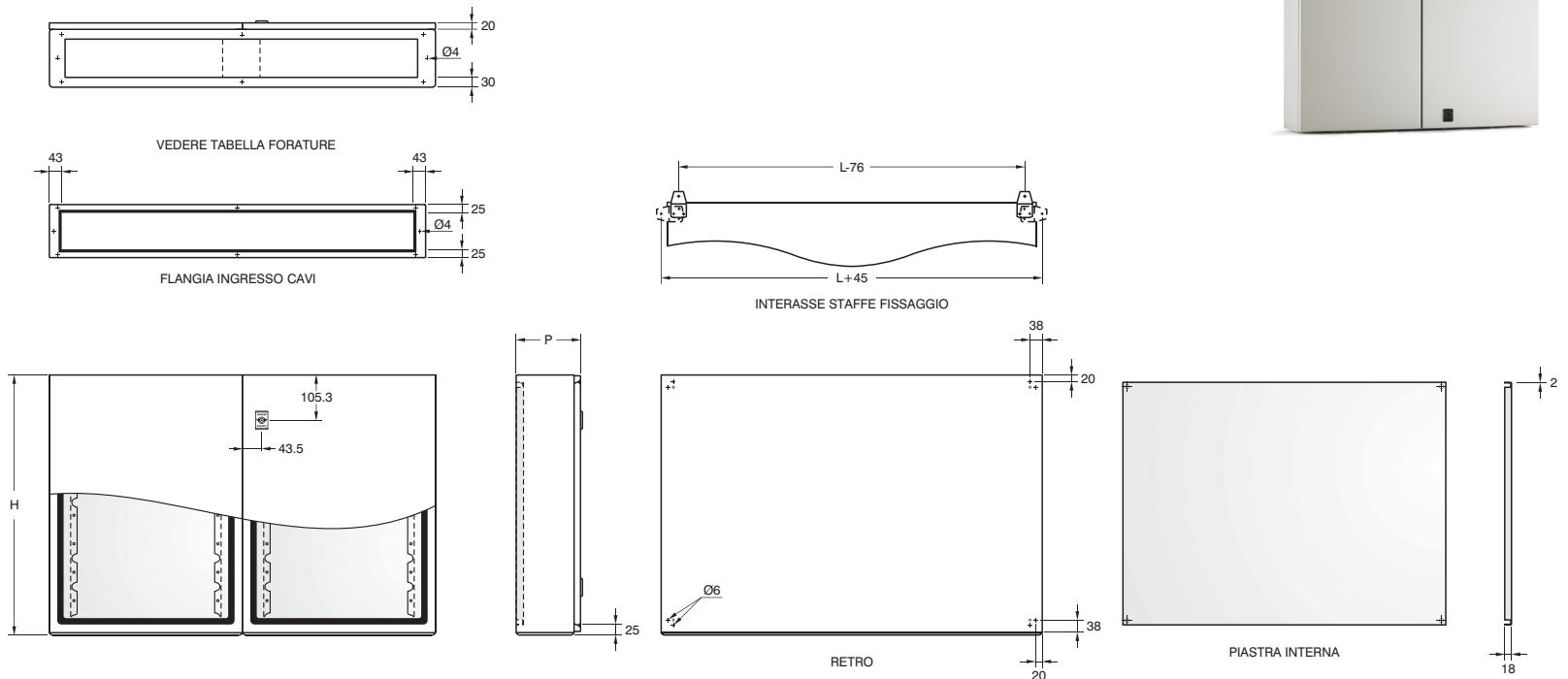


TABELLA FORATURA E FLANGE

D93/862 - D93/863	D93/1062 - 1082 - 1063 - 1083	D93/1263 - 1283	D93/1463 - 1483
FLANGIA: 600 x 160 UTILE FOR: 535 x 70	FLANGIA: 400 x 160 UTILE FOR: 335 x 70	FLANGIA: 500 x 160 UTILE FOR: 435 x 70	FLANGIA: 600 x 160 UTILE FOR: 535 x 70

DIMENSIONI CASSETTE D93 DUE ANTE

Utile Foratura Anta (Dx e Sx)..... 1/2L-135 H-56
 Interasse Foratura Supporti Interno Anta. L (anta-105)
 Piastra Interna Ribordata..... L-56 H-56
 Profondità Utile (c/Piastra Ribordata)..... P-22
 Apertura nel Fondo..... Vedi tabella
 Flangia Ingresso Cavi..... Vedi tabella

NB Contattare l'ufficio tecnico per uso esterno

Due Ante

Codici	H mm	L mm	P mm	Kg	m ³
D93/862	600	800	200	31,0	0,096
D93/1062	600	1000	200	42,0	0,120
D93/1082	800	1000	200	47,0	0,160
D93/863	600	800	300	34,0	0,150
D93/1063	600	1000	300	48,0	0,180
D93/1263	600	1200	300	53,0	0,220
D93/1463	600	1400	300	55,0	0,250
D93/1083	800	1000	300	54,0	0,160
D93/1283	800	1200	300	65,0	0,290
D93/1483	800	1400	300	69,0	0,340
*D93/10103	1000	1000	300	63,0	0,300
**D93/12103	1000	1200	300	72,0	0,360
**D93/12123	1200	1200	300	81,0	0,440
*D93/40	1206	1006	300	72,0	0,360

* FLANGIA UNICA

** FLANGIA SU RICHIESTA

le misure sono espresse in mm

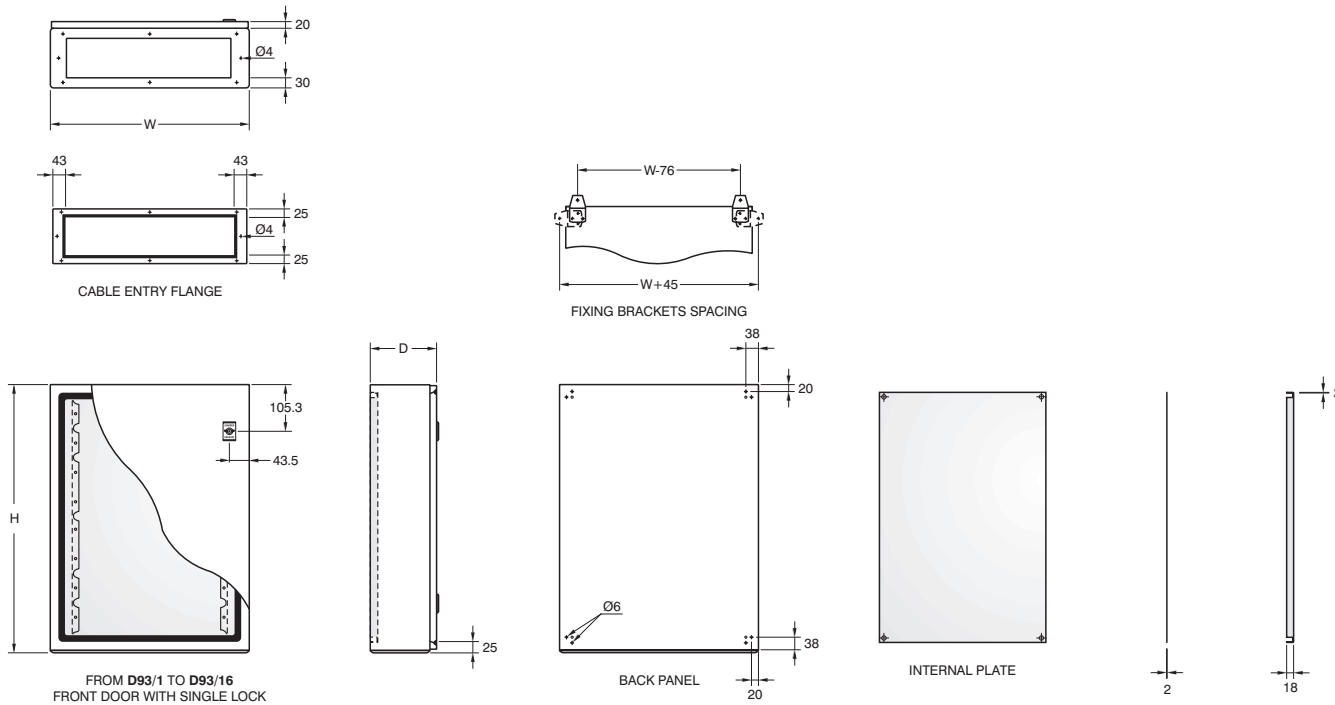
OMOLOGAZIONI

CE		EN 62208/02:2012	EN 61439-1
TUV	IP 66	EN 62208/02:2012	EN 60 529 ; EN 61439-1
	Anta cieca: IK10	EN 62208/02:201	EN 62 262 ; EN 61439-1
	Max Load Capacity	PI. 200+250Kg Anta 50Kg	EN 62208/02:2012 EN 61439-1
UL US	TYPE 1, 12, 4	FILE E238294	Standard 508
	NEMA 1, 12, 4		Standard 250
RoHS REACH		ELE118311CS	Rina Rules Classification of Ships
		2011/65/CE	1272/2008/CE

i dati tecnici possono essere soggetti a cambiamenti senza preavviso

technical data: D93 boxes

D93 boxes



NB Contact the technical department for external use

APPROVAL

CE		EN 62208/02:2012	EN 61439-1
TUV	■ IP 55	EN 62208/02:2012	EN 60 529 ; EN 61439-1
	Solid door: IK10	EN 62208/02:2012	EN 62 262 ; EN 61439-1
	Max Load Capacity	Pl. 200 ÷ 250Kg Door 50Kg	EN 62208/02:2012 EN 61439-1
UL US	TYPE 1, 12, 4	FILE E238294	Standard 508
	NEMA 1, 12, 4		Standard 250
		ELE118311CS	Rina Rules Classification of Ships
RoHS		2011/65/CE	1272/2008/CE

■ IP66 WITH CLOSED PANELS OR WITH SINGLE, FLAT CABLE ENTRY FLANGE.

D93 BOXES DIMENSIONS

Door drill dimensions (c/H max.590mm)... W-61 H-56
 Door drill dimensions (c/H da 600mm)..... W-135 H-56
 Internal door supports drill spacing..... W-105
 Flat Internal Plate..... W-36 H-56
 Bordered Internal Plate..... W-56 H-56
 Drill Depth (With Internal Plate)..... D-17
 Drill Depth (With Bordered Plate)..... D-22
 Bottom Opening..... W-90 D-90
 Cable Entry Flange..... W-6 D-40

One Door

Codes	H mm	W mm	D mm	Kg	m ³
*D93/1	306	206	150	5,2	0,009
*D93/2	306	256	150	6,4	0,001
*D93/4	306	306	150	7,0	0,013
*D93/5	356	256	150	7,0	0,013
*D93/7	406	306	150	9,6	0,018
*D93/10	506	306	150	12,2	0,022
*D93/12	506	356	150	11,8	0,026
*D93/3	306	256	200	7,0	0,015
*D93/6	356	256	200	8,0	0,017
*D93/8	406	306	200	9,9	0,024
*D93/9	406	406	200	10,5	0,032
*D93/11	506	306	200	11,4	0,030
*D93/13	506	356	200	12,8	0,035
*D93/14	506	406	200	15,1	0,040
*D93/16	506	506	200	16,5	0,050
*D93/17	606	406	200	17,0	0,048
D93/19	606	606	200	23,6	0,072
D93/21	706	506	200	23,0	0,070
D93/23	806	506	200	26,0	0,080
D93/25	806	606	200	29,2	0,096
D93/882	806	806	200	34,0	0,130

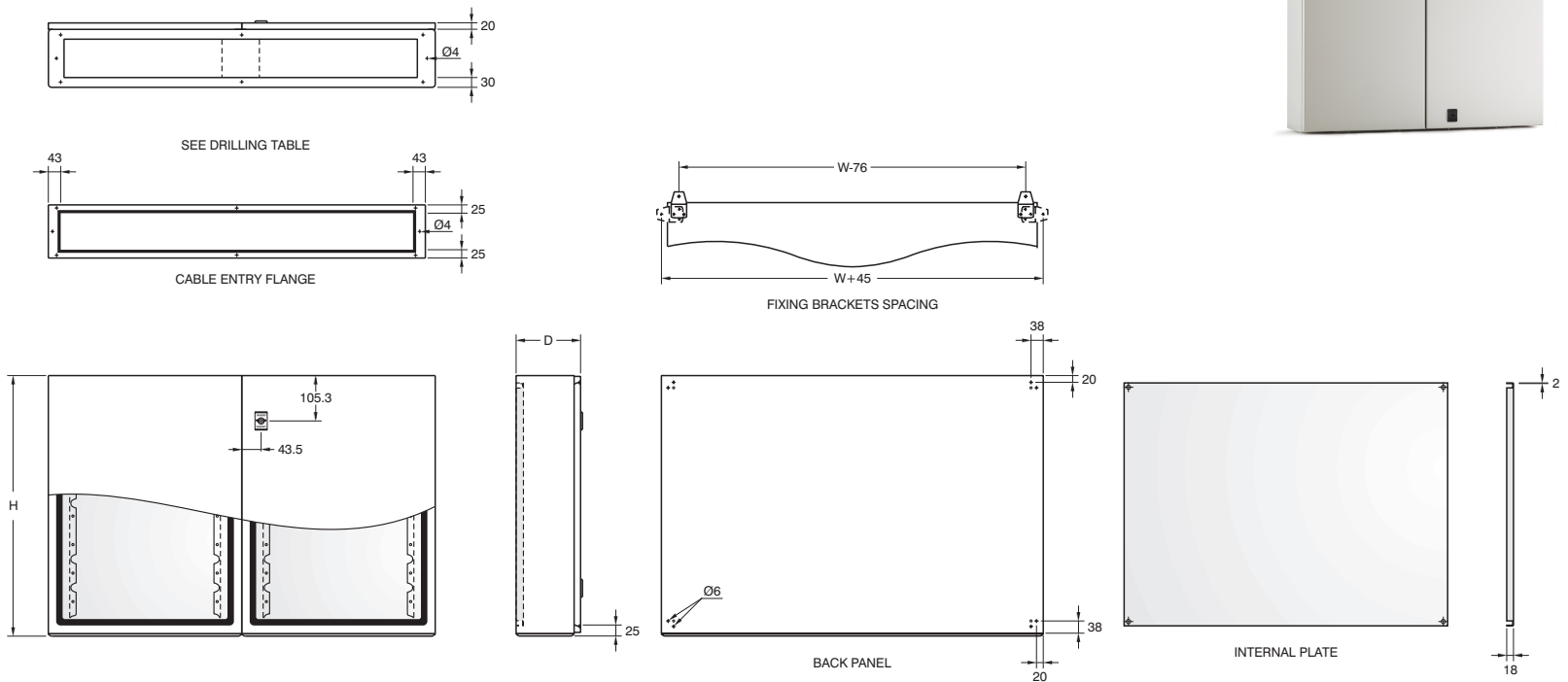
* FLAT INTERNAL PLATE

One Door

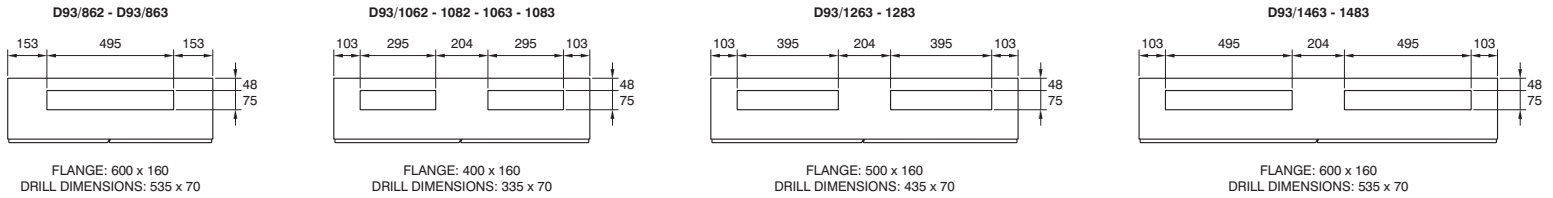
Codes	H mm	W mm	D mm	Kg	m ³
D93/28	906	606	200	32,7	0,110
D93/33	1006	806	200	45,6	0,160
*D93/15	506	406	250	15,9	0,050
*D93/18	606	406	250	19,1	0,060
D93/20	606	606	250	25,0	0,090
D93/22	706	506	250	24,5	0,087
D93/24	806	506	250	28,0	0,100
D93/26	806	606	250	30,8	0,120
D93/29	906	606	250	34,7	0,140
D93/31	1006	606	250	37,5	0,150
D93/34	1006	806	250	46,0	0,200
D93/37	1206	806	250	55,4	0,240
D93/27	806	606	300	32,5	0,150
D93/883	806	806	300	38,0	0,190
D93/30	906	606	300	36,7	0,160
D93/32	1006	606	300	39,8	0,180
D93/35	1006	806	300	49,7	0,240
D93/36	1206	606	300	46,0	0,220
D93/38	1206	806	300	59,0	0,290
D93/39	1206	1006	300	67,0	0,360

technical data: D93 boxes

D93 boxes with two doors



FLANGE AND DRILLING TABLE



NB Contact the technical department for external use

Two Doors

Codes	H mm	W mm	D mm	Kg	m ³
D93/862	600	800	200	31,0	0,096
D93/1062	600	1000	200	42,0	0,120
D93/1082	800	1000	200	47,0	0,160
D93/863	600	800	300	34,0	0,150
D93/1063	600	1000	300	48,0	0,180
D93/1263	600	1200	300	53,0	0,220
D93/1463	600	1400	300	55,0	0,250
D93/1083	800	1000	300	54,0	0,160
D93/1283	800	1200	300	65,0	0,290
D93/1483	800	1400	300	69,0	0,340
*D93/10103	1000	1000	300	63,0	0,300
**D93/12103	1000	1200	300	72,0	0,360
**D93/12123	1200	1200	300	81,0	0,440
*D93/40	1206	1006	300	72,0	0,360

* SINGLE FLANGE
** FLANGE ON REQUEST

D93 BOXES WITH TWO DOORS DIMENSIONS

Door Drill Dimensions (R and I)..... ½W-135 H-56
Internal Door Supports Drill Dspacing..... W (door-105)
Bordered Internal Plate..... W-56 H-56
Drill Depth (With Bordered Plate)..... D-22
Bottom Opening..... See table
Cable Entry Flange..... See table

APPROVAL

CE		EN 62208/02:2012	EN 61439-1
TUV	■ IP 55	EN 62208/02:2012	EN 60 529 ; EN 61439-1
	Solid door: IK10	EN 62208/02:201	EN 62 262 ; EN 61439-1
UL US	Max Load Capacity	Pl. 200 ± 250Kg	EN 62208/02:2012 EN 61439-1
		Door 50Kg	
UL US	TYPE 1, 12, 4	FILE E238294	Standard 508
	NEMA 1, 12, 4		Standard 250
		ELE118311CS	Rina Rules Classification of Ships
		2011/65/CE	1272/2008/CE

■ IP66 WITH CLOSED PANELS OR WITH SINGLE, FLAT CABLE ENTRY FLANGE.