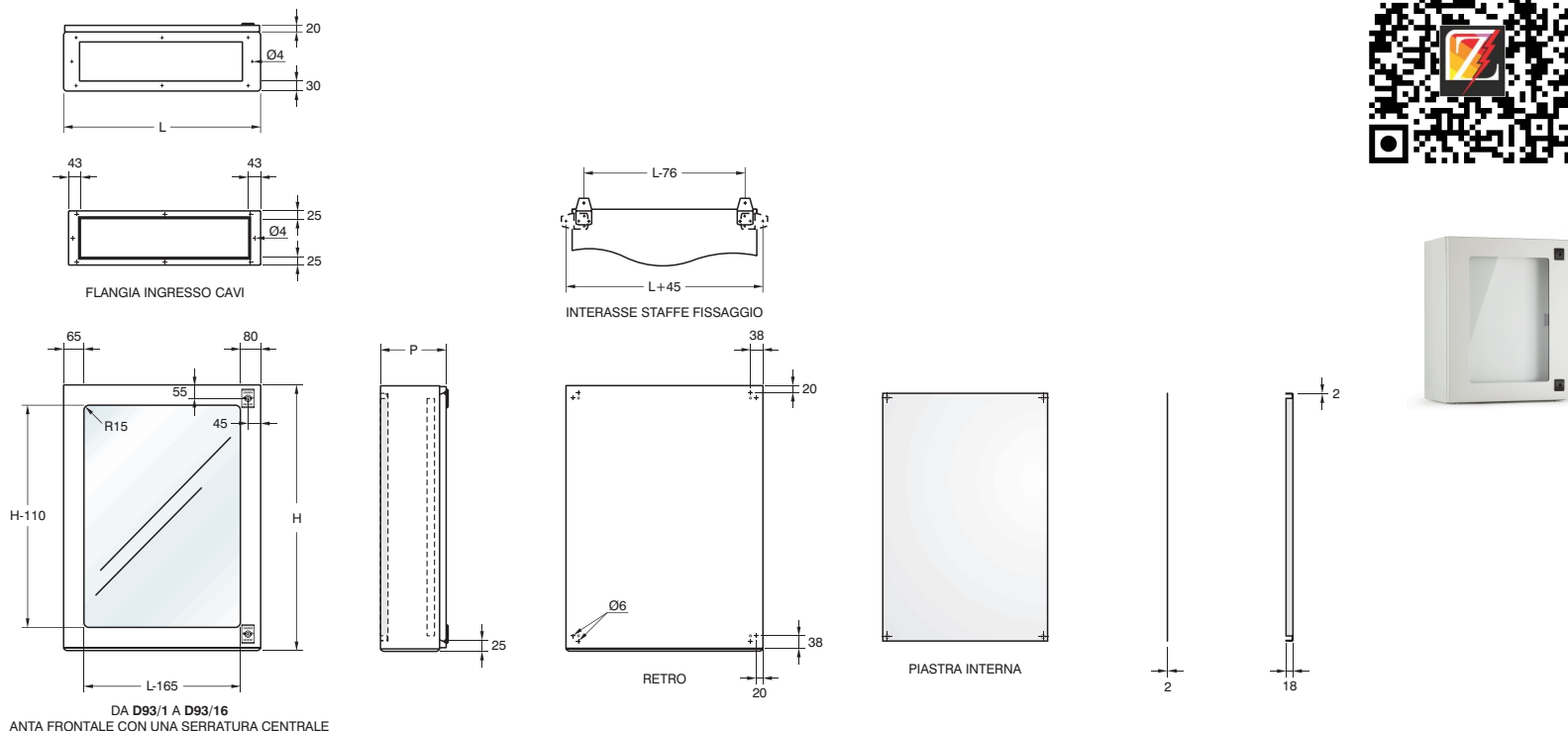


# dati tecnici: cassette D93S

## Cassette D93S



NB Contattare l'ufficio tecnico per uso esterno

### Una Anta Vetro

Codici	H mm	L mm	P mm	Kg	m <sup>3</sup>
* D93/8 S	406	306	200	11,5	0,024
* D93/9 S	406	406	200	12,5	0,032
* D93/11 S	506	306	200	13,5	0,030
* D93/13 S	506	356	200	15,0	0,035
* D93/14 S	506	406	200	17,5	0,040
* D93/16 S	506	506	200	19,5	0,050
* D93/17 S	606	406	200	20,0	0,048
D93/19 S	606	606	200	27,5	0,072
D93/21 S	706	506	200	27,0	0,070
D93/23 S	806	506	200	30,5	0,080
D93/25 S	806	606	200	34,5	0,096
D93/28 S	906	606	200	38,5	0,110
D93/33 S	1006	806	200	51,0	0,160
D93/15 S	506	406	250	19,0	0,050
D93/18 S	606	406	250	22,0	0,060
D93/20 S	606	606	250	29,0	0,090
D93/22 S	706	506	250	28,5	0,087
D93/24 S	806	506	250	32,5	0,100
D93/26 S	806	606	250	36,0	0,120
D93/29 S	906	606	250	40,5	0,140
D93/31 S	1006	606	250	44,0	0,150
D93/34 S	1006	806	250	54,5	0,200
D93/37 S	1206	806	250	65,5	0,240
D93/27 S	806	606	300	38,0	0,150
D93/30 S	906	606	300	42,5	0,160
D93/32 S	1006	606	300	46,5	0,180
D93/35 S	1006	806	300	59,0	0,240
D93/36 S	1206	606	300	54,0	0,220
D93/38 S	1206	806	300	69,0	0,290

\* PIASTRA INTERNA PIANA

### DIMENSIONI CASSETTE D93S

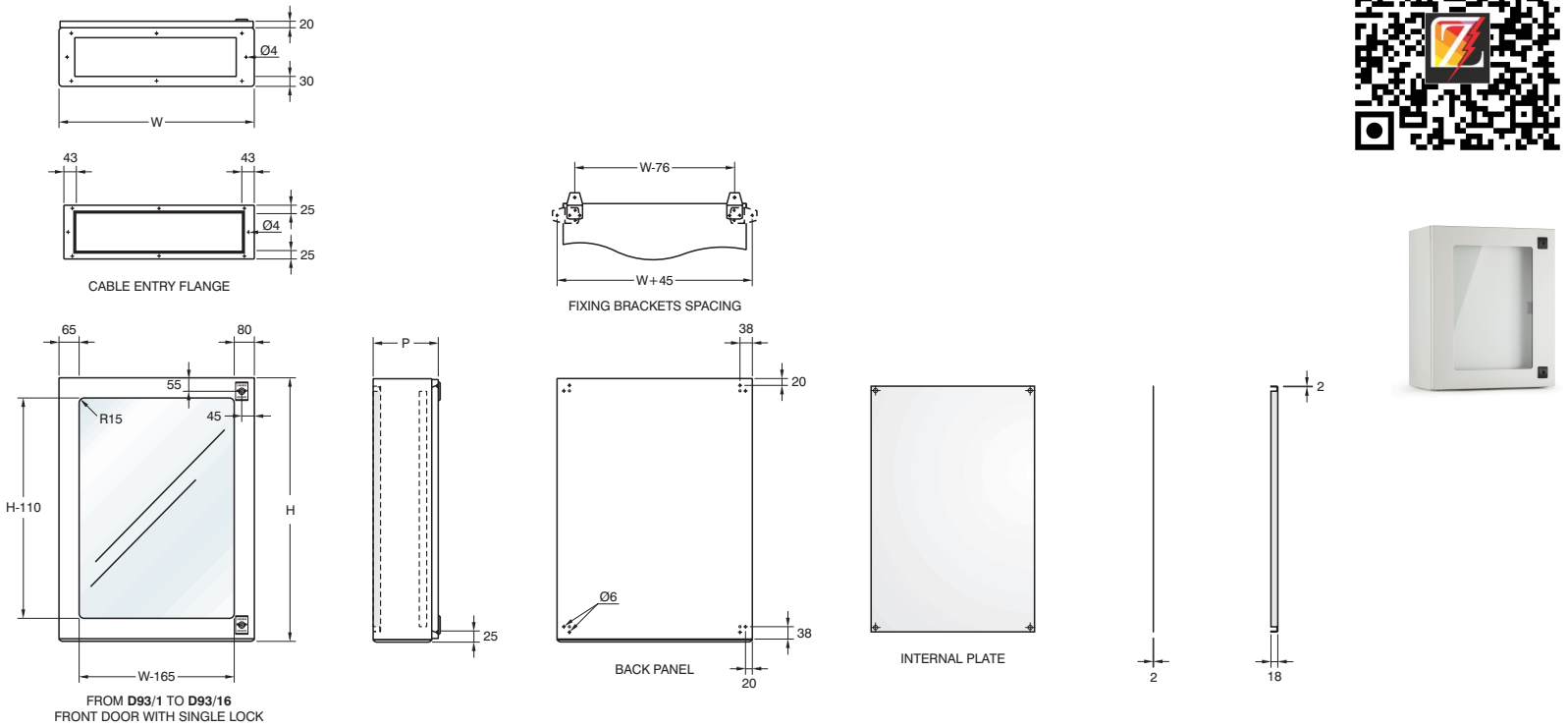
Luce Anta Trasparente.....	L-146	H-143
Anta Interna.....	L-76	H-60
Distanza tra Anta Esterna e Interna.....	50	
Piastra Interna Piana.....	L-36	H-56
Piastra Interna Ribordata.....	L-56	H-56
Profondità Utile (con Piastra Piana).....	P-67	
Profondità Utile (con Piastra Ribordata)....	P-72	
Utile Foratura Anta Interna .....	L anta-40	H-20
Apertura nel Fondo .....	L-90	P-90
Flangia Ingresso Cavi.....	L-6	P-40

### OMOLOGAZIONI

CE		EN 62208/02:2012	EN 61439-1
TUV	IP 66	EN 62208/02:2012	EN 60 529 ; EN 61439-1
	Anta vetro: <b>IK08</b>	EN 62208/02:2012	EN 62 262 ; EN 61439-1
	Max Load Capacity	Pl. <b>200÷250Kg</b> Anta <b>50Kg</b>	EN 62208/02:2012 EN 61439-1
RoHS		ELE118311CS	Rina Rules Classification of Ships
RoHS		2011/65/CE	1272/2008/CE

# technical data: D93S boxes

## D93S boxes



NB Contact the technical department for external use

### Single Glass Door

Codes	H mm	W mm	D mm	Kg	m <sup>3</sup>
* D93/8 S	406	306	200	11,5	0,024
* D93/9 S	406	406	200	12,5	0,032
* D93/11 S	506	306	200	13,5	0,030
* D93/13 S	506	356	200	15,0	0,035
* D93/14 S	506	406	200	17,5	0,040
* D93/16 S	506	506	200	19,5	0,050
* D93/17 S	606	406	200	20,0	0,048
D93/19 S	606	606	200	27,5	0,072
D93/21 S	706	506	200	27,0	0,070
D93/23 S	806	506	200	30,5	0,080
D93/25 S	806	606	200	34,5	0,096
D93/28 S	906	606	200	38,5	0,110
D93/33 S	1006	806	200	51,0	0,160
D93/15 S	506	406	250	19,0	0,050
D93/18 S	606	406	250	22,0	0,060
D93/20 S	606	606	250	29,0	0,090
D93/22 S	706	506	250	28,5	0,087
D93/24 S	806	506	250	32,5	0,100
D93/26 S	806	606	250	36,0	0,120
D93/29 S	906	606	250	40,5	0,140
D93/31 S	1006	606	250	44,0	0,150
D93/34 S	1006	806	250	54,5	0,200
D93/37 S	1206	806	250	65,5	0,240
D93/27 S	806	606	300	38,0	0,150
D93/30 S	906	606	300	42,5	0,160
D93/32 S	1006	606	300	46,5	0,180
D93/35 S	1006	806	300	59,0	0,240
D93/36 S	1206	606	300	54,0	0,220
D93/38 S	1206	806	300	69,0	0,290

\* FLAT INTERNAL PLATE

### D93S BOXES DIMENSIONS

Transparent Door Opening.....	W-146	H-143
Internal Door.....	W-76	H-60
Gap between External and Internal Door..	50	
Flat Internal Plate.....	W-36	H-56
Bordered Internal Plate.....	W-56	H-56
Drill Depth (With Internal Plate).....	D-67	
Drill Depth (With Bordered Plate).....	D-72	
Internal Door Drill Dimensions.....	W door-40	H-20
Bottom Opening.....	W-90	D-90
Cable Entry Flange.....	W-6	D-40

### APPROVAL

CE		EN 62208/02:2012	EN 61439-1
TUV	<b>IP 55</b>	EN 62208/02:2012	EN 60 529 ; EN 61439-1
	Glass door: <b>IK08</b>	EN 62208/02:2012	EN 62 262 ; EN 61439-1
	Max Load Capacity	Pl. <b>200+250Kg</b> Door <b>50Kg</b>	EN 62208/02:2012 EN 61439-1
		ELE118311CS	Rina Rules Classification of Ships
RoHS		2011/65/CE	1272/2008/CE